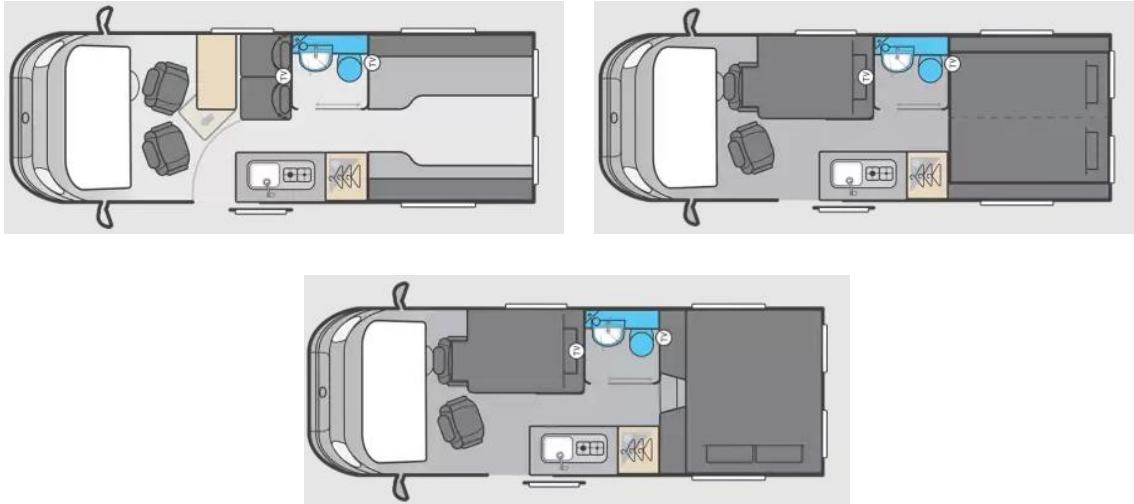




Swift Carrera 194 (2025)



The popular Carrera returns for the 2025 season. This stylish panel van range is powered with the FIAT series Euro 6D Final 140bhp 2.2 litre engine and comes with ESC and Eco packs as standard. Carrera is the ideal vehicle for everyday use and taking on adventures.

Step inside this vehicle to see a completely distinct look that's packed with features from stylish to functional. The Ultra Leather® Montage for the soft furnishing scheme offers a modern yet comfortable living experience whilst the Sangallo Elm woodgrain furniture provides an airy, relaxing feel, aided by the front sunroof that lets natural light pour in.

The front cab is equipped with everything needed for comfortable long journeys such as a new 10" touchscreen HD colour display with a new Sat Nav equipped with TomTom 3D map visualisation and selectable vehicle dimensions. When you've reached your destination, the driver and passenger captain chairs swivel round to provide additional lounge seating, perfect for all the family.

Carrera continues to impress with a unique style wet room featuring an Eco camel Jetstorm showerhead for a powerful shower that uses less water, as well as a Micro-Heki skylight. In Addition, the Whale water heating system will keep you warm all year round.

Perfect for couples and families, there are six Carrera models to choose from this season, all of which come with a mid-kitchen and washroom, four have a rear lounge that converts into a comfortable double bed while the

194 has fixed rear drop beds. All new this year is the 244 which has a pop top roof with a comfortable double bed.

- European Whole Vehicle Type Approval ensures compliance with strict weight, dimension and safety regulations
- **NEW** Fiat Ducato panel van in Lanzarote Grey, with **NEW** updated front grille and body coloured bumper
- Elevating roof in body colour with Mini-Heki skylight (244 only)

- Body insulated with high performance 3M 'Thinsulate'

NEW Euro 6E 140bhp 2.2 litre engine with 6-speed manual gear box and ESC & Eco packs as standard ESC includes: Traction+ anti-slip regulation (ASR), roll over mitigation (ROM) and hill descent control
ECO includes; stop and start system, smart alternator and more effective energy saving fuel pump

NEW 90L fuel tank and AD-blue based after treatment system with 19L tank

Long wheel base 3.5 tonnes (122 & 144 and 244)

Extra-long wheel base 3.5 tonnes (132, 184 & 194)

NEW Stylish exterior graphics scheme

16" alloy wheels

Fix 'n' Go puncture repair kit

Daytime running lights

NEW rear light cluster

Reversing sensors

110W solar panel and regulator

Roof-mounted pull-out Thule awning

LED awning light with rain diverter above external sliding door

One-piece pressed 22mm thick insulated floor

One-piece pressed 14mm thick insulated roof panel

Whale external BBQ point with connection nozzle

Whale external cold water shower point with hose and head

Electric Thule side entrance step

Provision for 2 x 3.9kg gas bottles with fitted butane/propane regulator and propane hose (2 x 6kg on 194)

Flush fitting, double glazed, tinted acrylic windows with night latch ventilation

'Silver Techno' dashboard design including:

NEW digital dash and infotainment system

NEW 10" touchscreen HD colour display

NEW Fiat Sat Nav with TomTom 3D map visualisation and selectable vehicle dimensions

NEW Leather steering wheel with steering wheel controls including volume control and phone compatibility and gear lever with leather gaiter

Cruise control

Cab light, back lighting & floor lights

DAB radio with Apple Carplay TM / Android Auto TM, USB and Bluetooth

Central area with pocket for smartphone, double USB point and cup holders

Door pockets with bottle holder

NEW Automatic Cab air-conditioning

Driver and passenger airbags

NEW wireless phone charger

- ABS brakes
- EBD (electronic brake force distribution)
- Electronic parking brake
- Immobiliser with rolling code
- Variable power steering
- Electrically adjusted and heated, folding wing mirrors with DAB radio aerial

- Electrically operated and tinted cab windows
- Adjustable headlamp height
- Adjustable steering wheel position
- Pleated cab blinds (front and side blinds)
- Removable and bleachable cab carpet
- Driver and passenger captain chairs both with:

Height and rake adjustment

Swivel base

Two armrests

Integrated headrest

Fully upholstered covers

Secure twist lock closing system

Dual zipped windows complete with midge screens

Fire resistant tent fabric

- Montage soft furnishing scheme featuring stain resistant, easy to clean fabrics
- Sangallo Elm woodgrain with complementary Oxford Canvas and Graphite furniture

- Sangallo Elm and cream gloss locker doors with graphite strip and chrome inlay and concealed handles.
- Overhead locker construction with full length LED strip lighting in the extruded locker base and in roof mounted header rail
- Dark grey Savoy fabric wall covering with stain resistant finish
- Grey French Oak effect, high impact, scratch resistant floor
- Sectioned removable and bleachable carpets for flexibility
- Forward facing travelling seats with armrest to side wall, incorporating USB socket (except 122 & 132)
- Midi-Heki skylight with flyscreen over front dinette (except 244, over rear lounge in 122 & 132)
- Micro-Heki skylight over rear lounge (244)
- Double glazed windows with pleated cassette blinds and flyscreens
- Two rear windows with blinds and flyscreens
- Anthracite interior formed décor panels to sliding and rear doors
- Exterior sliding door flyscreen
- Exterior rear door flyscreen (except 194)
- Rear door panels featuring folding storage table and door pockets
- Moulded window surrounds and storage pockets in contrasting

Diamante fabrics

- Front sunroof surround with chrome trim and door section to match front side lockers
 - Curved slimline wardrobe (122 & 132)
 - Rear lounge seating with angle seats for more comfort (except 194)
 - Covered storage for 4-berth front bed make-up (184)
 - High-level rear beds allowing storage down the centre (194)
 - Roof mounted speakers
 - Elevating roof system featuring: (244 only)
-
- Folding mechanism that pulls canvas away from hinges on closing
 - Double bed with bed springs for added comfort and fall-out protection
 - Moulded roof hatch with lighting and USB points
 - Halo roof lighting around the canopy
 - Folding bunk ladder
 - Simple controls for monitoring and managing: Power
 - Battery selection, battery level meter and power usage
 - Selected lighting control with soft-start dimming
 - Water, tank levels and control related features such as pump control
 - Environment monitoring with internal and external temperature and internal humidity levels
 -
 -

- Combination Dometic two-burner stainless steel hob and sink with glass lids
 - **NEW** built in oven with grill
 - Slate Weft laminate kitchen worktop
 - Dometic 90 litre compressor fridge with double hinge for improved access
 - Lift-out worktop extension (except 184)
 - Fold away waste bin (fixed bin in 184)
 - Main table with rotating leaf table extension (except 122 & 132) with Desmo table at rear (except 194)
 - Washroom and shower tray with foldaway washbasin and separate vanity tap
 - Shower mixer with Eco camel Jetstorm shower head and retainer, with on/off button for a powerful shower that uses less water
 - Tambour washroom door
 - Upper vanity cupboard with mirror, LED lighting and decorative panel
 - Thetford cassette toilet with electric flush and 18 litre wheeled tank and concealed waterproof toilet roll holder
 - Micro-Heki skylight with flyscreen in washroom
 - Positive concealed locker catches throughout for secure storage on the move
 - Pan storage and cutlery drawers in kitchen with soft-close runners
 - Control system with 4" LCD colour touchscreen panel featuring;
 - Whale heating and water system
 - Control panel facia for heating and hot water
 - Truma 'Mono' regulator
 - Pressurised fresh water system with self-priming pump and accumulator
-
- 12V exterior point for pump filling of water tank (pump not supplied) incorporated in the Whale water inlet housing
 - Insulated 93 litre fresh water tank
 - 58 litre waste water tank
 - Electronically operated fresh and waste water drain valves with insulated covers
 - Large bore underslung rigid waste pipes
 - Winter Pack including tank heaters and pipe insulation
 - Two fully sealed, long life, 80 Amp-hour (Dir 2006/66/EC) leisure batteries, stored under the cab seats (except 244)
 - Mains 230V supply, via easy-access consumer unit, to sockets, fridge, heater, water heater and battery charger/transformer
 - 25 metre mains hook-up cable
 - 25 Amp/300 Watt charger/ transformer for leisure batteries

Ultra-low energy LED lighting system throughout interior including: Under-locker LED strip lights
Over-locker LED ambient lighting

Minimum of four chrome 230V sockets and dedicated USB points
USB socket in armrest rear passenger seats (except 122 & 132)
Status 570 TV aerial (except 244)
Co-ax TV connection in the external mains inlet socket for external source (244 only)
Two TV points with 230V and 12V sockets and aerial socket (one in 122 & 132)
Black branded speakers fitted in roof at rear
VIN CHIP™ identification system concealed within construction to deter theft and aid quick recovery
Key fob operated remote central locking
Smoke alarm
Carbon monoxide alarm

Factory fit

- Upgrade to **NEW** 140bhp, 2.2 litre engine with **NEW** 8-speed automatic transmission